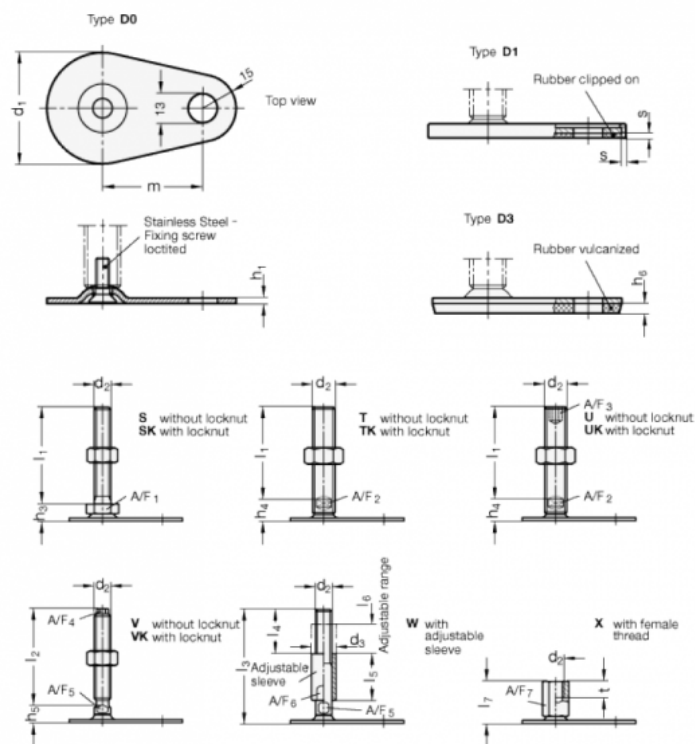


Article number: 204350M1060D3S

Description: E+G levelling foot
GN 43-50-M10-60-D3-S

Note: S Without nut, External hexagon at the bottom

Measures



A/F1 = 17

d1 = 50

d2 = M10

h1 = 2.5

h3 = 11

h6 = 4

l1 = 60

m = 45

s =